

# Bolt Interlocks

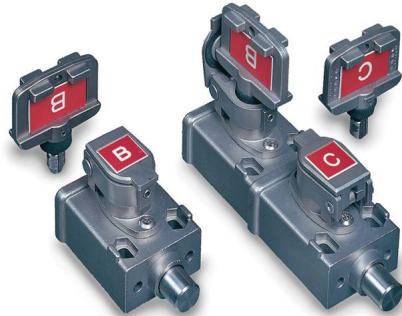
## Description

The bolt interlocks are designed to allow access to hazardous areas when an appropriate key is inserted into the interlock. These bolt interlocks are manufactured in 316L stainless steel to provide a rugged, industrial grade method of helping prevent access through gates.

One advantage of the bolt interlocks is that there is no need to run power wires to the gate. Power is disconnected by a trapped key rotary switch on a control panel and the key is then hand-carried to the gate by the operator.

The Single Bolt interlock (SBL) is designed to be used to access hazardous areas where partial body exposure is required. The SBL is not shipped with a key. If two keys are needed for partial body access, select the Dual Bolt interlock (DBL) that requires both keys to be trapped to operate. This version of the DBL does not include the keys.

When whole body access is needed, the DBL, with one primary key and one secondary trapped key (included) should be used. The secondary key serves the function of a personnel key. This DBL allows the operator to carry the personnel key into the hazardous area. When the operator returns from the hazardous area and returns the personnel key to the DBL, the locking sequence can be reversed and the process re-started.



## Features

- 316L stainless steel construction
- Various extensions of bolt
- Direct drive push/pull operation
- Replaceable code barrel assembly
- Fitted with tamper resistant screws
- Weatherproof stainless steel dust cap as standard
- Solenoid and electric versions
- Multiple key options

## The Prosafe Advantage



Stainless steel construction.

## Specifications

## Safety Ratings

Standards	EN1088, ISO12100-1&2, ISO14119, AS4024.1
Category	Cat. 1 per EN 954-1 (ISO 13849-1) Suitable for Cat. 2, 3, or 4 systems
Certifications	CE Marked for all applicable directives and BG; C-Tick not required
<b>Operating Characteristics</b>	
Operating Temperature [C (F)]	Mechanical: -40...+200 ° (-40...+392 °) Electrical: -20...+80 ° (-4...+176 °) Solenoid: -20...+60 ° (-4...+140 °)
Mechanical Life	100,000 operations
<b>Environmental &amp; Physical Characteristics</b>	
Shear Force to Key	15.1 k•N (3398 lbs), max.
Torque to Key	14 N•m (124 lb•in), max.
Relative Humidity	95%
Weight [kg (lb)]	SBL: 0.60 (1.32) DBL: 1.10 (2.43)
Material	316L stainless steel
Mounting	SBL: 2 x M5 counterbored from top or 2 x M5 from underside with M5 nuts DBL: 4 x M5 counterbored from top or 4 x M5 from underside with M5 nuts
Bolt Diameter	15 mm (0.59 in.)

## Product Selection

### *Product Selection - Mechanical*

Type	Trapped Key Condition	Bolt Retracted [mm (in.)]	Bolt Extended [mm (in.)]	Cat. No.
Single key	Key trapped to retract bolt	0	14 (0.55)	440T-MSBLE10*
		3 (0.11)	17 (0.66)	440T-MSBLE11*
		6 (0.23)	20 (0.78)	440T-MSBLE12*
		13 (0.51)	27 (1.06)	440T-MSBLE13*
Dual key	Both keys trapped to retract bolt	0	14 (0.55)	440T-MDBLE10* *
		3 (0.11)	17 (0.66)	440T-MDBLE11* *
		6 (0.23)	20 (0.78)	440T-MDBLE12* *
		13 (0.51)	27 (1.06)	440T-MDBLE13* *
	Primary key trapped, secondary key free to retract bolt	0	14 (0.55)	440T-MDBLE14* ⊗
		3 (0.11)	17 (0.66)	440T-MDBLE15* ⊗
		6 (0.23)	20 (0.78)	440T-MDBLE16* ⊗
		13 (0.51)	27 (1.06)	440T-MDBLE17* ⊗
Dual Key with Secondary Ejector Key		0	14 (0.55)	440T-MDBLJ14* ⊗
		3 (0.11)	17 (0.66)	440T-MDBLJ15* ⊗
		6 (0.23)	20 (0.78)	440T-MDBLJ16* ⊗
		13 (0.51)	20 (0.78)	440T-MDBLJ17* ⊗
Triple key	Three keys trapped to retract bolt	0	14 (0.55)	440T-MTBLE10* * *
		3 (0.11)	17 (0.66)	440T-MTBLE11* * *
		6 (0.23)	20 (0.78)	440T-MTBLE12* * *
		13 (0.51)	27 (1.06)	440T-MTBLE13* * *
	Two primary trapped, one secondary key free to retract bolt	0	14 (0.55)	440T-MTBLE14* * ⊗
		3 (0.11)	17 (0.66)	440T-MTBLE15* * ⊗
		6 (0.23)	20 (0.78)	440T-MTBLE16* * ⊗
		13 (0.51)	27 (1.06)	440T-MTBLE17* * ⊗
	One primary trapped, two secondary keys free to retract bolt	0	14 (0.55)	440T-MTBLE18* ⊗ ⊗
		3 (0.11)	17 (0.66)	440T-MTBLE19* ⊗ ⊗
		6 (0.23)	20 (0.78)	440T-MTBLE20* ⊗ ⊗
		13 (0.51)	27 (1.06)	440T-MTBLE21* ⊗ ⊗
Quad key	Four keys trapped to retract bolt	0	14 (0.55)	440T-MQBLE10* * * *
		3 (0.11)	17 (0.66)	440T-MQBLE11* * * *
		6 (0.23)	20 (0.78)	440T-MQBLE12* * * *
		13 (0.51)	27 (1.06)	440T-MQBLE13* * * *
	Three primary trapped, one secondary key free to retract bolt	0	14 (0.55)	440T-MQBLE14* * * ⊗
		3 (0.11)	17 (0.66)	440T-MQBLE15* * * ⊗
		6 (0.23)	20 (0.78)	440T-MQBLE16* * * ⊗
		13 (0.51)	27 (1.06)	440T-MQBLE17* * * ⊗

\* Substitute the desired primary code for this symbol (key not included). See **Key Coding** for code selection.

⊗ Substitute the desired secondary code for this symbol (key included). See **Key Coding** for code selection.

## Product Selection - Electrical

Contact Type	Type	Trapped Key Condition	Bolt Retracted [mm (in.)]	Bolt Extended [mm (in.)]	Cat. No.
2 N.C. & 1 N.O. break before make	Single key	Key trapped to retract bolt	0	14 (0.55)	440T-MSBSE10*
			3 (0.11)	17 (0.66)	440T-MSBSE11*
			6 (0.23)	20 (0.78)	440T-MSBSE12*
			13 (0.51)	27 (1.06)	440T-MSBSE13*
		Free key to retract bolt	0	14 (0.55)	440T-MSBSE33*
			3 (0.11)	17 (0.66)	440T-MSBSE34*
			6 (0.23)	20 (0.78)	440T-MSBSE35*
			13 (0.51)	27 (1.06)	440T-MSBSE36*
	Dual key	Both keys trapped to retract bolt	0	14 (0.55)	440T-MDBSE10* *
			3 (0.11)	17 (0.66)	440T-MDBSE11* *
			6 (0.23)	20 (0.78)	440T-MDBSE12* *
			13 (0.51)	27 (1.06)	440T-MDBSE13* *
		Primary key trapped, secondary key free to retract bolt	0	14 (0.55)	440T-MDBSE14* ☉
			3 (0.11)	17 (0.66)	440T-MDBSE15* ☉
			6 (0.23)	20 (0.78)	440T-MDBSE16* ☉
			13 (0.51)	27 (1.06)	440T-MDBSE17* ☉

\* Substitute the desired primary code for this symbol (key not included). See **Key Coding** for code selection.

☉ Substitute the desired secondary code for this symbol (key included). See **Key Coding** for code selection.

## Product Selection - Solenoid

Solenoid Voltage	Contact Type	Type	Trapped Key Condition	Bolt Retracted [mm (in.)]	Bolt Extended [mm (in.)]	Cat. No.
24V DC	2 N.C. & 1 N.O. break before make	Single key	Key trapped to retract bolt	0	14 (0.55)	440T-MSBUE10*
				3 (0.11)	17 (0.66)	440T-MSBUE11*
				6 (0.23)	20 (0.78)	440T-MSBUE12*
				13 (0.51)	27 (1.06)	440T-MSBUE13*
			Free key to retract bolt	0	14 (0.55)	440T-MSBUE33*
				3 (0.11)	17 (0.66)	440T-MSBUE34*
				6 (0.23)	20 (0.78)	440T-MSBUE35*
				13 (0.51)	27 (1.06)	440T-MSBUE36*
		Dual key	Both keys trapped to retract bolt	0	14 (0.55)	440T-MDBUE10* *
				3 (0.11)	17 (0.66)	440T-MDBUE11* *
				6 (0.23)	20 (0.78)	440T-MDBUE12* *
				13 (0.51)	27 (1.06)	440T-MDBUE13* *
			Primary key trapped, secondary key free to retract bolt	0	14 (0.55)	440T-MDBUE14* ☉
				3 (0.11)	17 (0.66)	440T-MDBUE15* ☉
				6 (0.23)	20 (0.78)	440T-MDBUE16* ☉
				13 (0.51)	27 (1.06)	440T-MDBUE17* ☉

\* Substitute the desired primary code for this symbol (key not included). See **Key Coding** for code selection.

☉ Substitute the desired secondary code for this symbol (key included). See **Key Coding** for code selection.

## Accessories

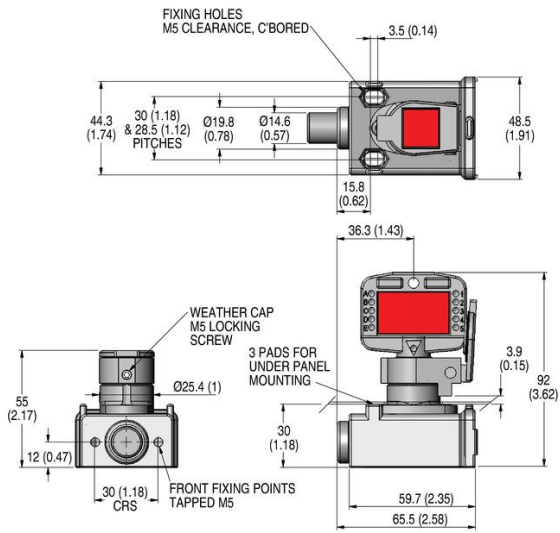
Description	Additional Information	Cat. No.
Stainless steel key	Accessories	440T-AKEYE10*
Stainless steel replacement code barrel with dust cap		440T-ASCBE14*
Stainless steel weatherproof replacement dust cap		440T-ASFC10*
Stainless steel ejector key		440T-AKEYE13*

\* Substitute the desired primary code for this symbol (key not included). See **Key Coding** for code selection.

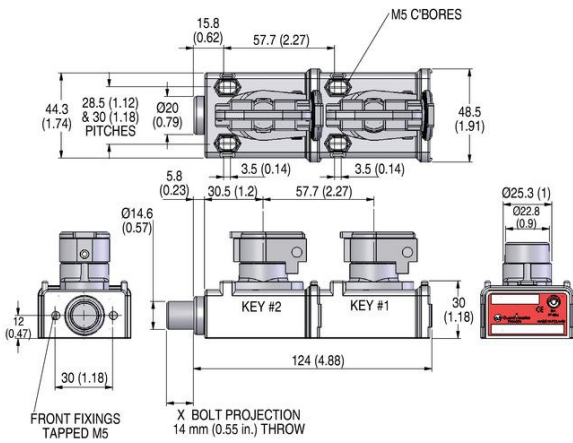
## Approximate Dimensions

Dimensions are shown in mm (in.). Dimensions are not intended to be used for installation purposes.

**MSBLE10, 11, 12, and 13**

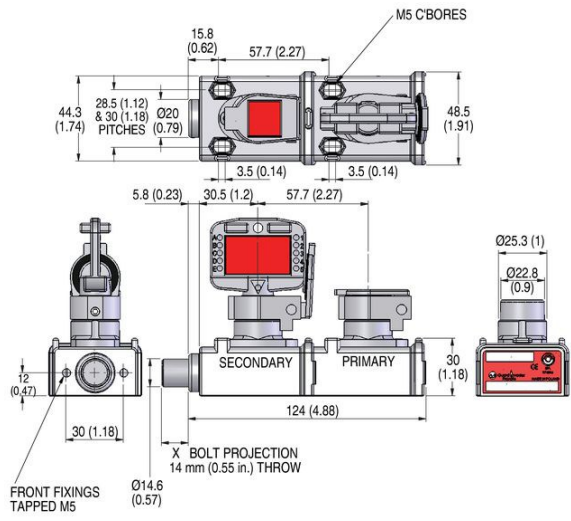


**MDBLE10, 11, 12, and 13**



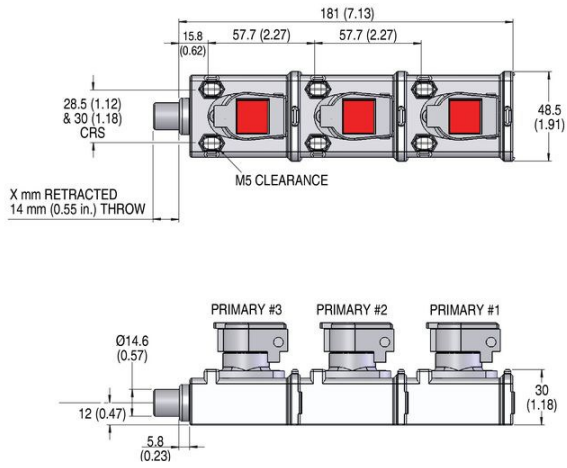
Type	X [mm (in.)]
440T-MDBLE10	0 (0)
440T-MDBLE11	3 (0.12)
440T-MDBLE12	6 (0.24)
440T-MDBLE13	13 (0.51)

**MDBLE14, 15, 16, and 17**



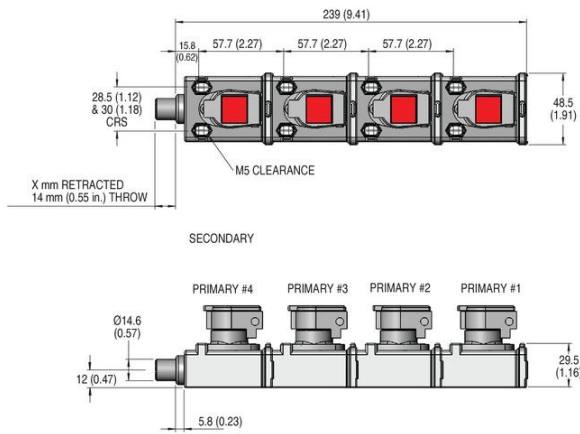
Type	X [mm (in.)]
440T-MDBLE14	0 (0)
440T-MDBLE15	3 (0.12)
440T-MDBLE16	6 (0.24)
440T-MDBLE17	13 (0.51)

**MTBLE10, 11, 12, and 13**



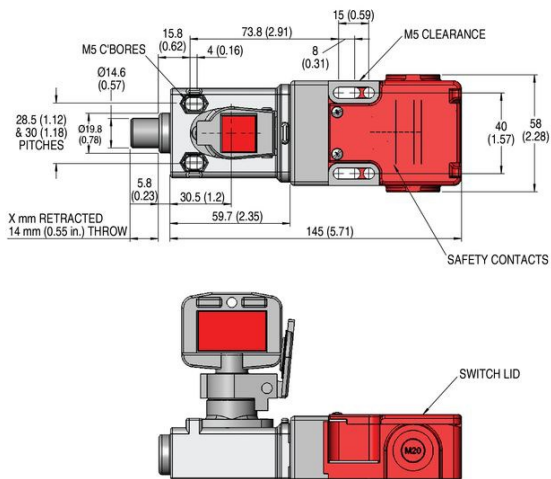
Type	X [mm (in.)]
440T-MTBLE10	0 (0)
440T-MTBLE11	3 (0.12)
440T-MTBLE12	6 (0.24)
440T-MTBLE13	13 (0.51)

**MQBLE10, 11, 12, and 13**



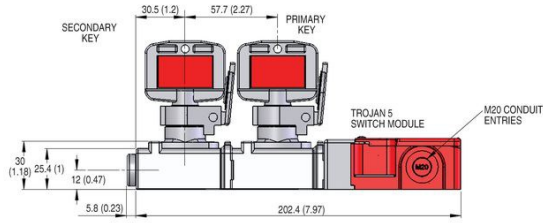
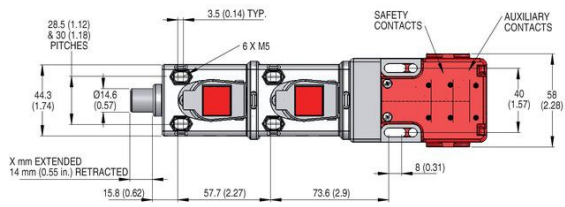
Type	X [mm (in.)]
440T-MOBLE10	0 (0)
440T-MOBLE11	3 (0.12)
440T-MOBLE12	6 (0.24)
440T-MOBLE13	13 (0.51)

### MSBSE10, 11, 12, and 13



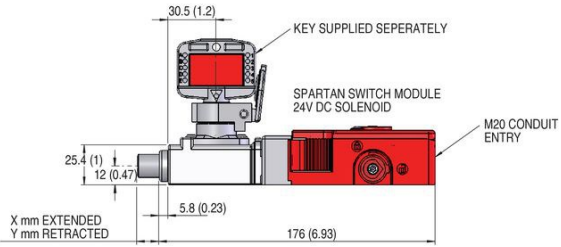
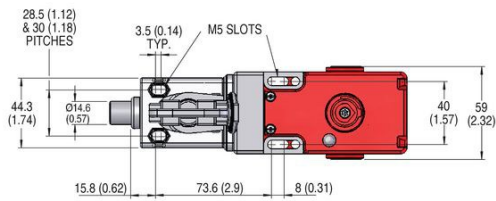
Type	X [mm (in.)]
440T-MSBSE10	0 (0)
440T-MSBSE11	3 (0.12)
440T-MSBSE12	6 (0.24)
440T-MSBSE13	13 (0.51)

### MDBSE10, 11, 12, and 13



Type	X [mm (in.)]
440T-MDBSE10	0 (0)
440T-MDBSE11	3 (0.12)
440T-MDBSE12	6 (0.24)
440T-MDBSE13	13 (0.51)

**MSBUE33, 34, 35, and 36**



Type	X [mm (in.)]	Y [mm (in.)]
440T-MSBUE33	14 (0.55)	0 (0)
440T-MSBUE34	17 (0.67)	3 (0.12)
440T-MSBUE35	20 (0.79)	6 (0.24)
440T-MSBUE36	27 (1.06)	13 (0.51)

**MDBUE14, 15, 16, and 17**



